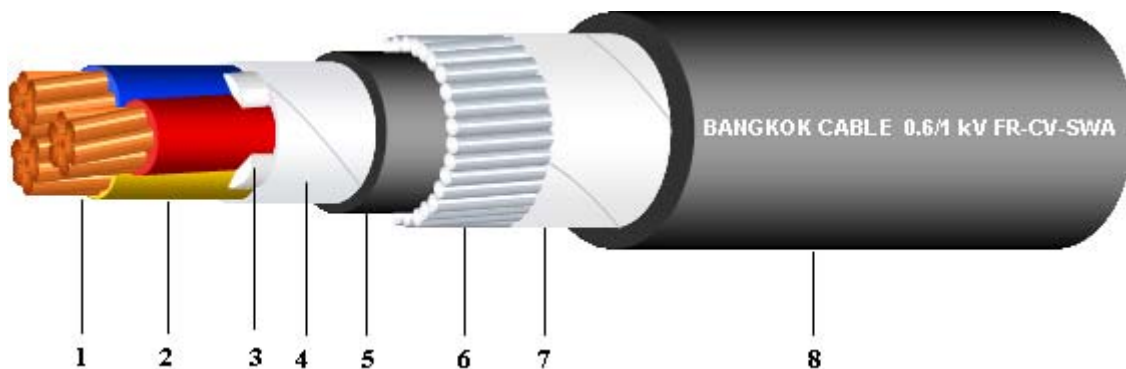


0.6/1 kV FR-CV-SWA

IEC 60502 (3 CORE)



Construction :

1. Conductor : Concentric stranded or compact stranded annealed copper wires
2. Insulation : Cross-linked polyethylene (XLPE)
Identification : Red, Yellow and Blue color
3. Filler : Polyethylene (Non-hygroscopic material)
4. Binding Tape : Polyester / Spunbond Tape
5. Inner Sheath : Flame Retardant Polyvinyl chloride (FR-PVC), Black color
6. Armour : Galvanized steel wire
7. Binding Tape : Polyester / Spunbond Tape
8. Outer Sheath : Flame Retardant Polyvinyl chloride (FR-PVC), Black color

Application :

The cable is designed for general purpose where flame retardant properties are required.

Nominal cross-sectional area	Conductor		Thickness of insulation (Nominal)	Thickness of Inner Sheath (Approx.)	Diameter of steel wire armour (Nominal)	Thickness of Outer Sheath (Nominal)	Overall diameter (Approx.)	Maximum conductor resistance (at 20°C)	Current rating in air	Cable weight (Approx.)	Standard Length
	Strands	Diameter (Approx.)									
sq.mm		mm	mm	mm	mm	mm	mm	Ohm/km	A	kg/km	m
1.5	7/0.52	1.56	0.7	1.0	0.8	1.8	16.0	12.1	22	380	500/D
2.5	7/0.67	2.01	0.7	1.0	0.8	1.8	17.0	7.41	29	450	500/D
4	7/0.85	2.55	0.7	1.0	1.25	1.8	19.5	4.61	39	650	500/D
6	7/1.04	3.12	0.7	1.0	1.25	1.8	20.5	3.08	50	770	500/D
10	6	3.72	0.7	1.0	1.25	1.8	22.0	1.83	67	950	500/D
16	6	4.69	0.7	1.0	1.6	1.8	24.5	1.15	89	1350	500/D
25	6	5.90	0.9	1.0	1.6	1.8	28.0	0.727	120	1840	500/D
35	6	6.95	0.9	1.0	1.6	1.9	31.0	0.524	145	2280	500/D
50	6	8.33	1.0	1.0	1.6	2.0	35.0	0.387	175	2900	500/D
70	12	9.73	1.1	1.2	2.0	2.1	40.0	0.268	220	4060	500/D
95	15	11.43	1.1	1.2	2.0	2.2	43.5	0.193	275	5140	400/D
120	18	12.95	1.2	1.2	2.5	2.4	49.0	0.153	315	6610	400/D
150	18	14.27	1.4	1.4	2.5	2.5	54.0	0.124	360	7950	300/D
185	30	15.98	1.6	1.4	2.5	2.7	58.5	0.0991	410	9580	250/D
240	34	18.47	1.7	1.6	2.5	2.9	65.5	0.0754	480	11990	200/D
300	34	20.68	1.8	1.6	2.5	3.1	71.0	0.0601	550	14460	150/D
400	53	23.39	2.0	1.6	3.15	3.4	80.0	0.0470	625	18780	100/D